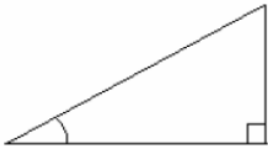
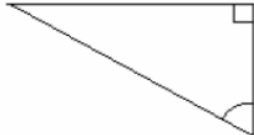




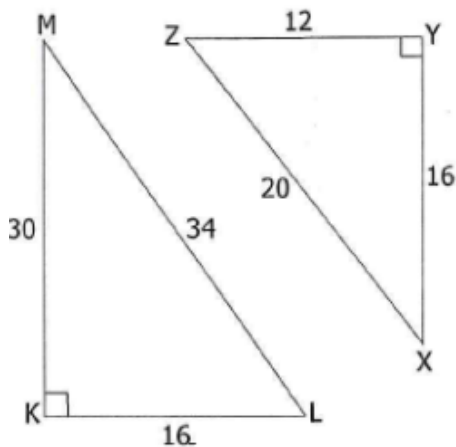
Identify the opposite, adjacent, hypo of each marked angle

<p>1.</p> 	<p>7.</p> 
<p>2.</p> 	<p>8.</p> 

Use the figures below to answer 1-6. Find the ratio for each given Trig. function.

**** These will be fractions**

Reduce them



1. $\sin \angle M$

Looking at angle m, i need a fraction of opposite over hypo

$$\text{opp } \frac{16}{30} \rightarrow \frac{8}{15}$$

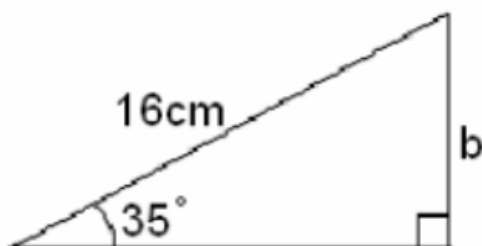
3. $\tan \angle L$

2. $\cos \angle Z$

5. $\cos \angle L$

4. $\sin \angle X$

6. $\tan \angle Z$



Create the equation to solve for b but dont solve it yet. We will do it together