

1. Find the perimeter of a rectangle whose length is 12 cm and width is twice as much as the length.

72

2. What is the circumference of a circle with a radius of 5?

31.4

3. What is width of a rectangle whose length is 6 and area is 78

13

4. What is the perimeter of a square whose area is 81?

36

5. What is the perimeter of a rectangle whose length is 14 and width is half it's length?

42

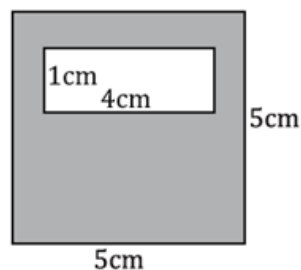
6. A triangle has a height of 10 and a base of 6, find the area.

30

7. What is the perimeter of a rectangle that has a length of m , and a width that is 6 more than it's length?

$4m + 12$

8. Find the area of the shaded region.

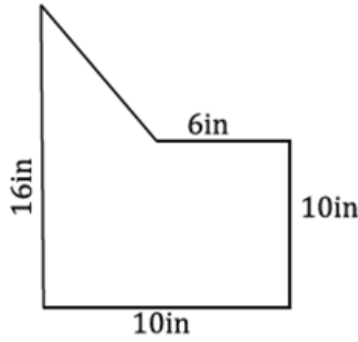


21

9. A bedroom is 15 ft long and 12 ft wide. How much will it cost to carpet the room if carpeting costs \$22 per square yard? (1 yd = 3 ft)

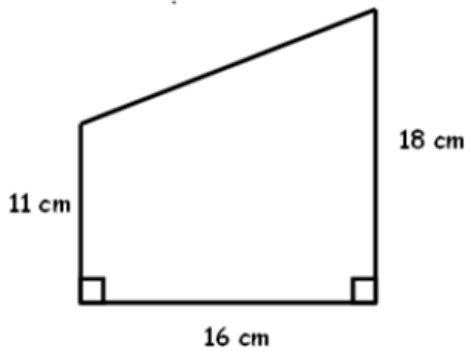
1320

10. Find the total area of this region.



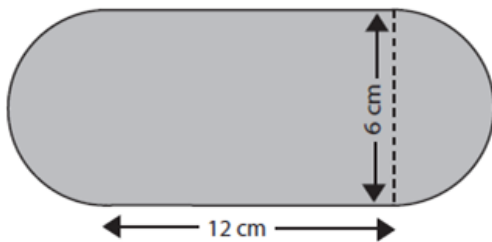
Area = 112 in²

11. How much would it cost to carpet this room if it cost \$18 per square foot?



Cost = \$4,176

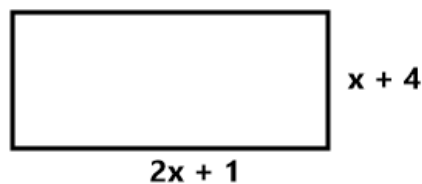
12. Find the total area of this region.



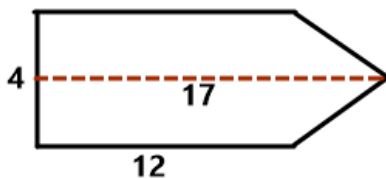
Area = 100.26 cm²

13. Find the perimeter of the rectangle.

answer = $6x + 10$



14. Find the total area of this rectangle with a triangle on the side of it.



Area = 58

15. Find the area of a square whose perimeter is 40.

Area = 100